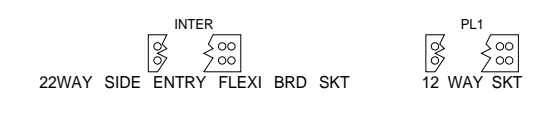
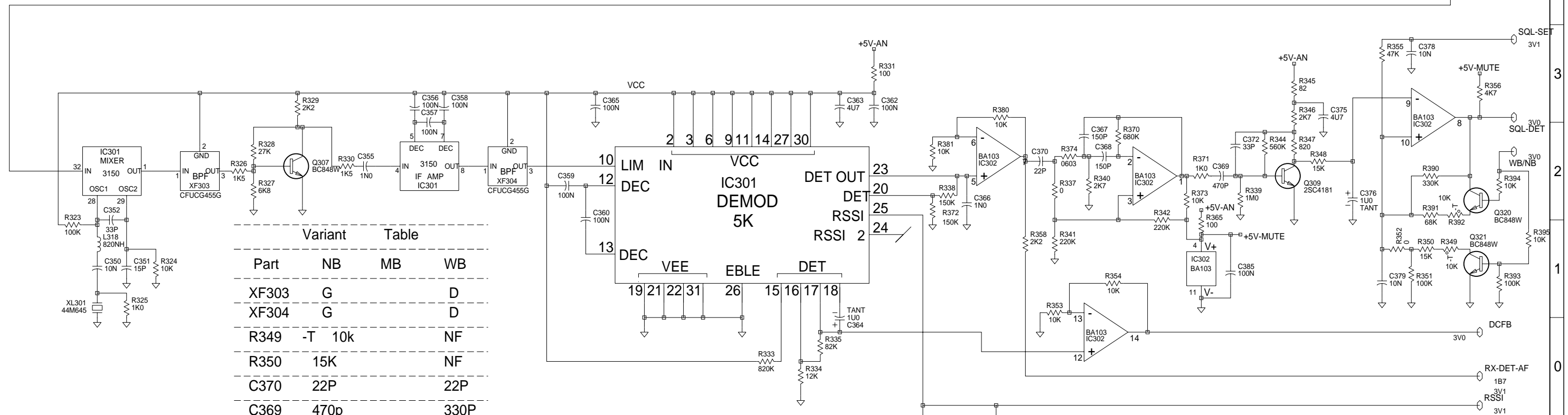
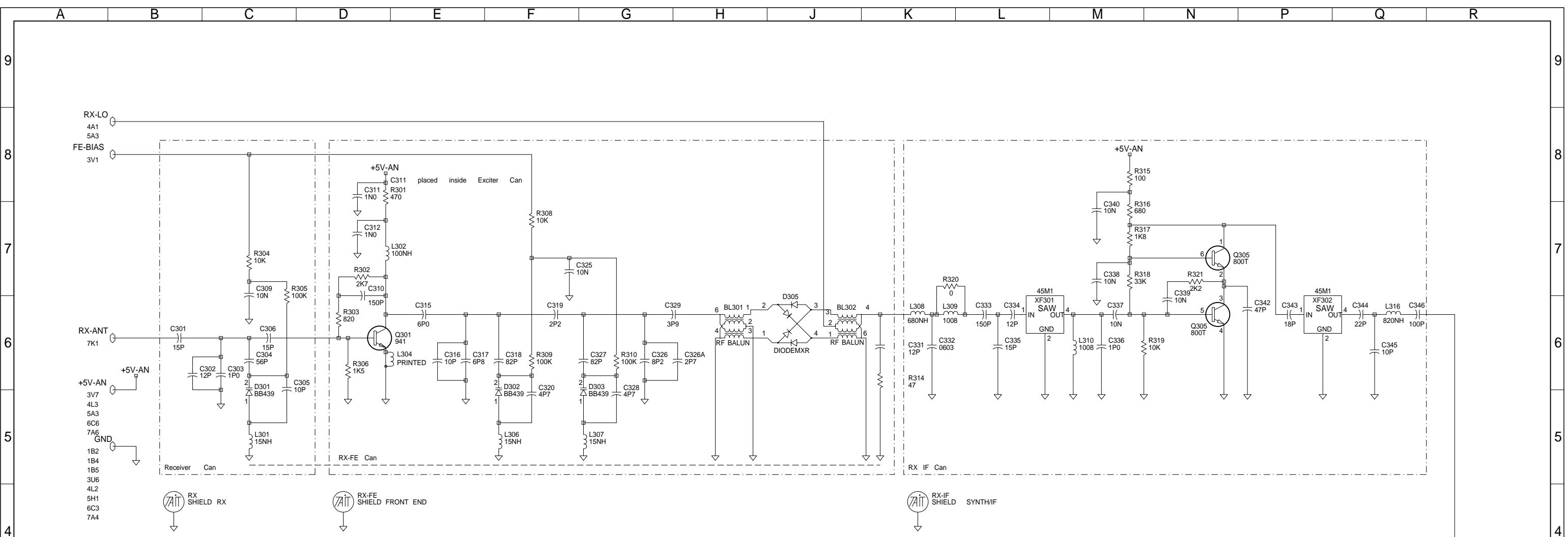


05A	CCO NO.	1503-004/005/006/007	BRD			04/11/99	
04B	CHANGES AS PER	1503/001	BRD			20/08/99	
03B	ADJUSTED T-CU AS PER	PENTEX	BRD			03-06-99	
03A	UPDATE ALC AND AFC		BRD			17-05-99	
02A	SEE NOTES FILE FOR CHANGES		BRD			10/02/99	
08	UPDATED MUTE CIRCUITRY		DBH				
REV/ISS	AMENDMENTS		DRAWN	CHKD	D.O.	APVD	DATE



Sub UHF

© TAIT ELECTRONICS	
ORCA :TP010-	336-400MHZ
SYSTEM DIAGRAM	
IPN: 220-01503-05	ISSUE: A
DESIGNER: ORCA	FILE NAME: BRD
DATE: 150305a	FILE DATE: 11-Nov-99
ID: 2.S.C. 1	NO.SHEETS: 7



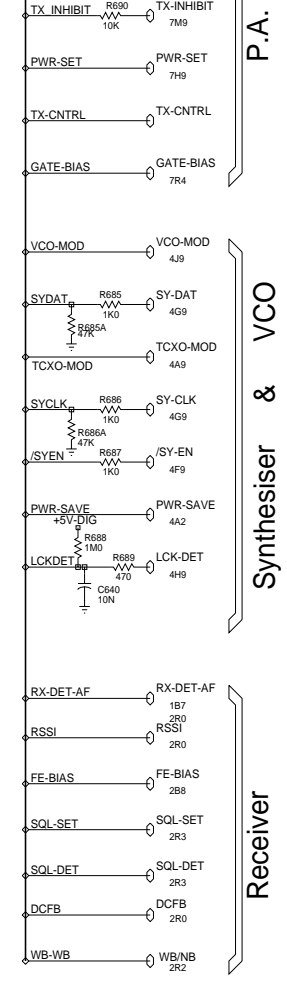
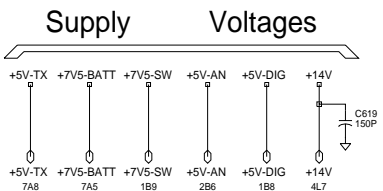
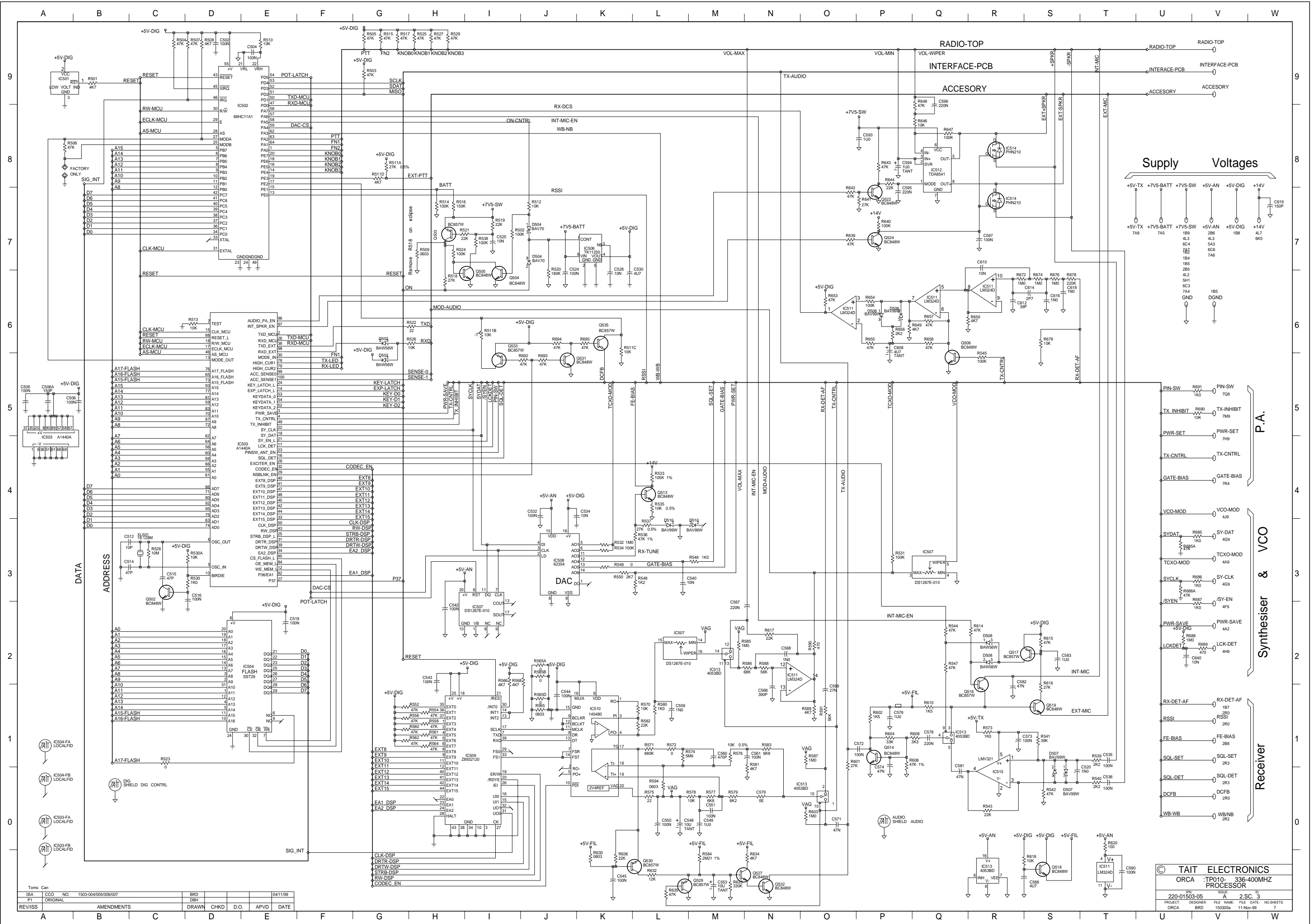
05A	CCO NO.	1503-004/005/006/007	BRD		04/11/99
REV/ISS	AMENDMENTS		DRAWN	CHKD	D.O.
			APVD	DATE	

TAIT ELECTRONICS

ORCA :TP010- 336-400MHZ RECEIVER

IPN: 220-01503-05
ISSUE: A
ID: 2.S.C. 2

PROJECT: ORCA BRD
DESIGNER: 150305a
FILE NAME: 11-Nov-99
NO.SHEETS: 7

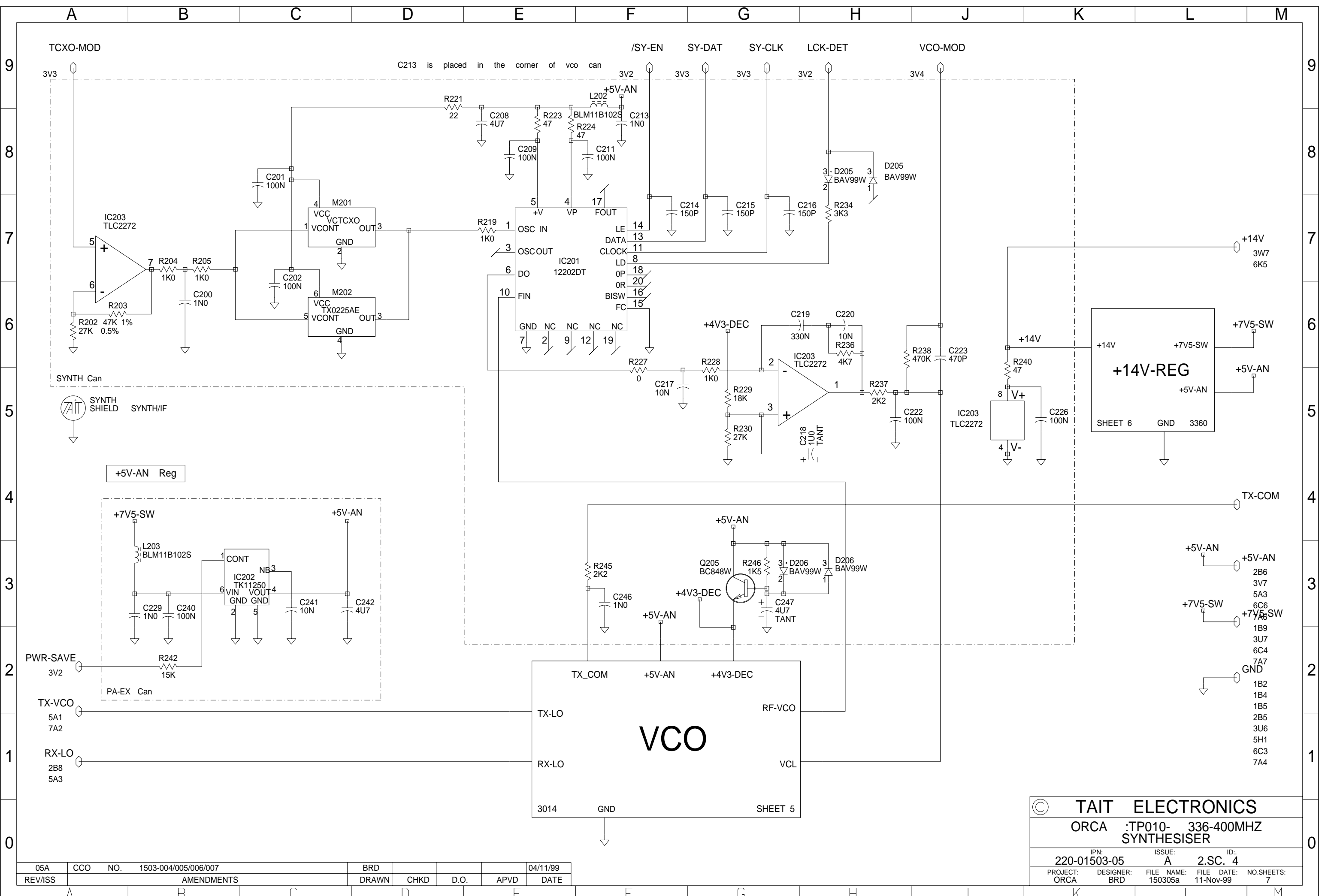


© TAIT ELECTRONICS
 ORCA :TP010- 336-400MHZ
 PROCESSOR
 220-01503-05 2-SC-3
 PROJECT: DESIGNER: FILE NAME: FILE DATE: NO SHEETS: 7

REV/ISS	DATE	APVD	D.O.	CHKD	DRAWN	BRD	DBH
05A	0411/99						
P1	ORIGINAL						
	AMENDMENTS						

Toms Can

05A ECCO NO. 1503-004005/006/007



C213 is placed in the corner of vco can

VCO

3014 GND SHEET 5

TX-LO TX-COM +5V-AN +4V3-DEC RF-VCO VCL RX-LO

+14V-REG

SHEET 6 GND 3360

+14V +7V5-SW +5V-AN

+5V-AN Reg

PA-EX Can

IC202 TK11250

CONT NB3 VOUT4 VIN2 GND GND

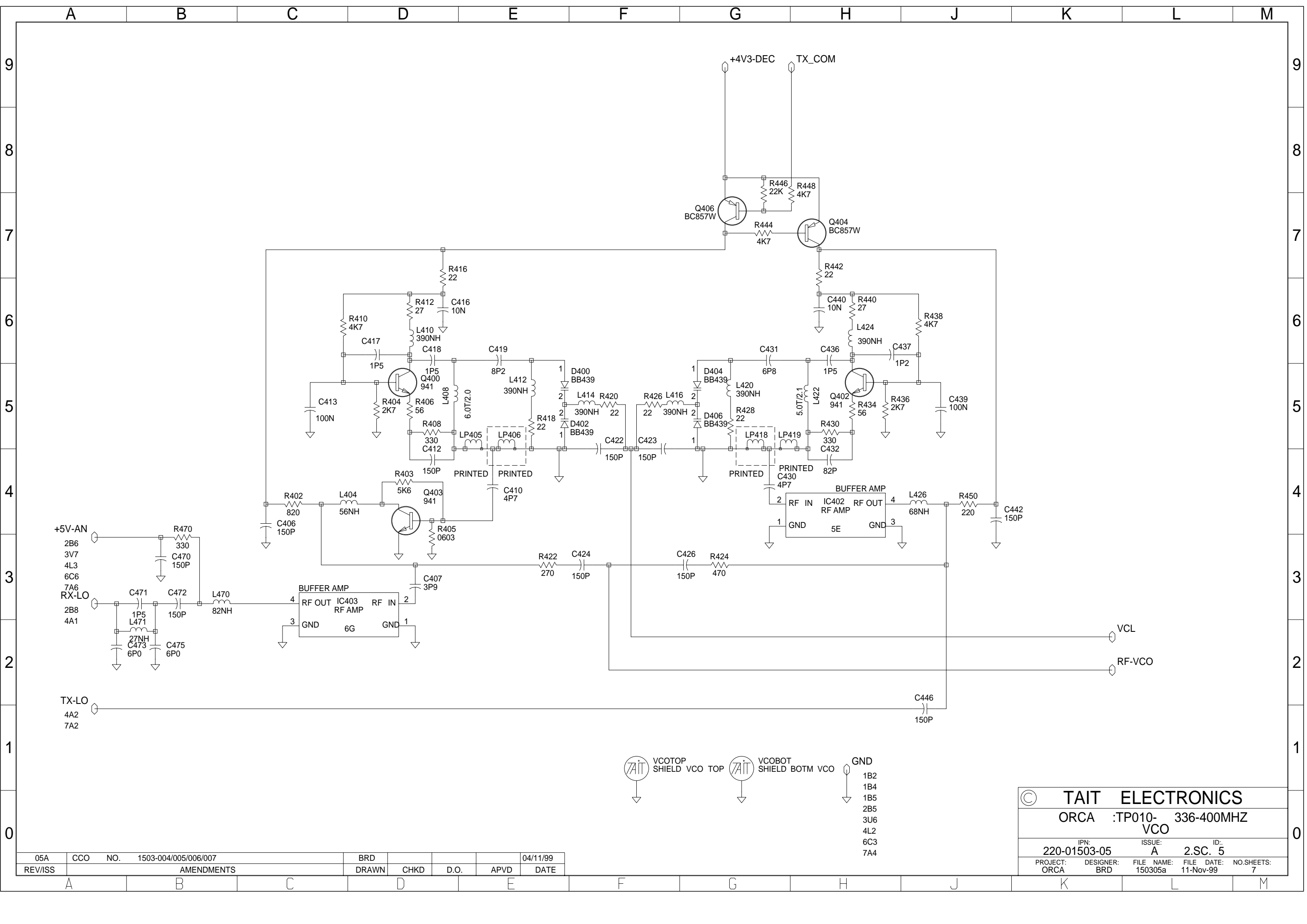
+7V5-SW +5V-AN

L203 BLM11B102S C229 1N0 C240 100N C241 10N C242 4U7

R242 15K

© TAIT ELECTRONICS	
ORCA	:TP010- 336-400MHZ SYNTHESISER
IPN: 220-01503-05	ISSUE: A ID: 2.SC. 4
PROJECT: ORCA	DESIGNER: BRD FILE NAME: 150305a FILE DATE: 11-Nov-99 NO.SHEETS: 7

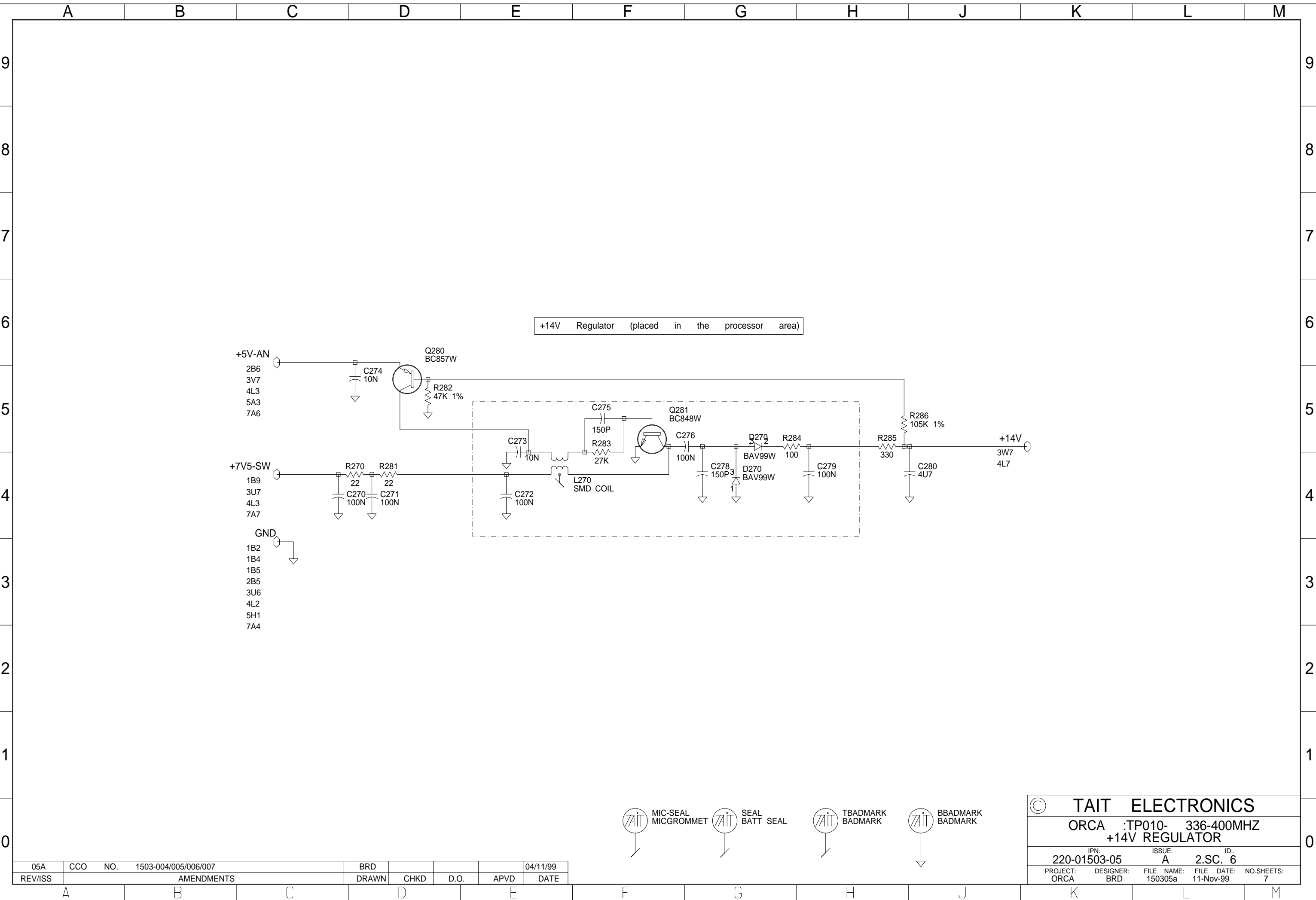
05A	CCO	NO.	1503-004/005/006/007	BRD				04/11/99
REV/ISS	AMENDMENTS			DRAWN	CHKD	D.O.	APVD	DATE



05A	CCO	NO.	1503-004/005/006/007	BRD				04/11/99
REV/ISS	AMENDMENTS			DRAWN	CHKD	D.O.	APVD	DATE

- VCOTOP SHIELD VCO TOP
- VCOBOT SHIELD BOTM VCO
- GND
- 1B2
- 1B4
- 1B5
- 2B5
- 3U6
- 4L2
- 6C3
- 7A4

© TAIT ELECTRONICS
 ORCA :TP010- 336-400MHZ
 VCO
 IPN: 220-01503-05 ISSUE: A ID: 2.SC. 5
 PROJECT: ORCA DESIGNER: BRD FILE NAME: 150305a FILE DATE: 11-Nov-99 NO.SHEETS: 7



+14V Regulator (placed in the processor area)

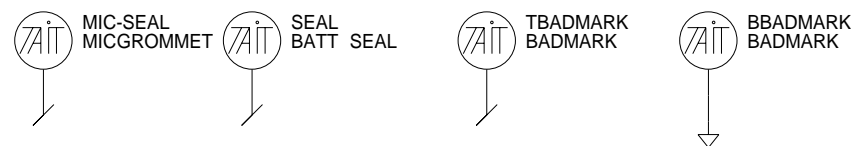
+5V-AN
2B6
3V7
4L3
5A3
7A6

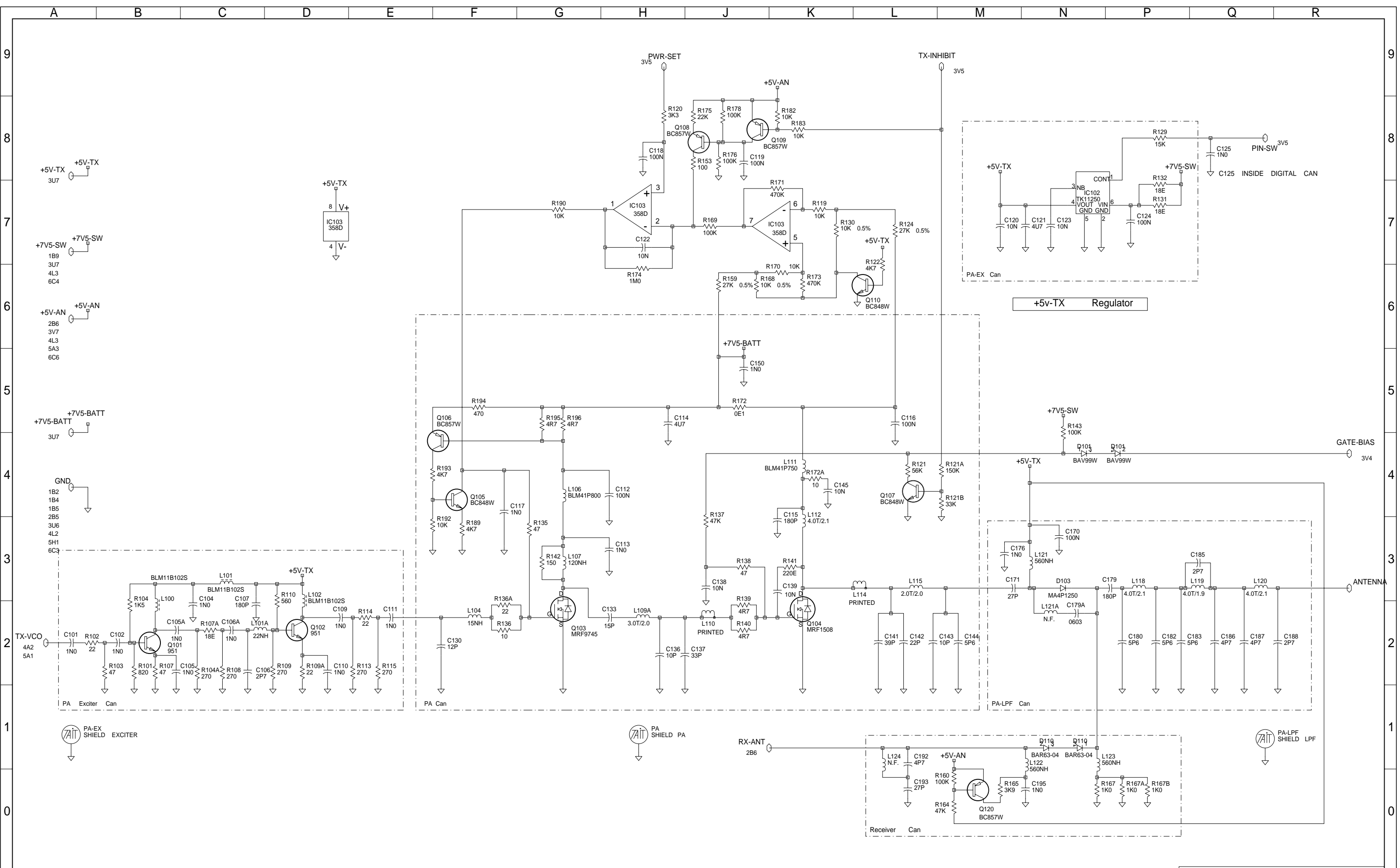
+7V5-SW
1B9
3U7
4L3
7A7

GND
1B2
1B4
1B5
2B5
3U6
4L2
5H1
7A4

© TAIT ELECTRONICS	
ORCA :TP010- 336-400MHZ +14V REGULATOR	
IPN: 220-01503-05	ISSUE: A
PROJECT: ORCA	DESIGNER: BRD
FILE NAME: 150305a	FILE DATE: 11-Nov-99
ID: 2.SC. 6	NO.SHEETS: 7

05A	CCO	NO.	1503-004/005/006/007	BRD				04/11/99
REV/ISS	AMENDMENTS			DRAWN	CHKD	D.O.	APVD	DATE



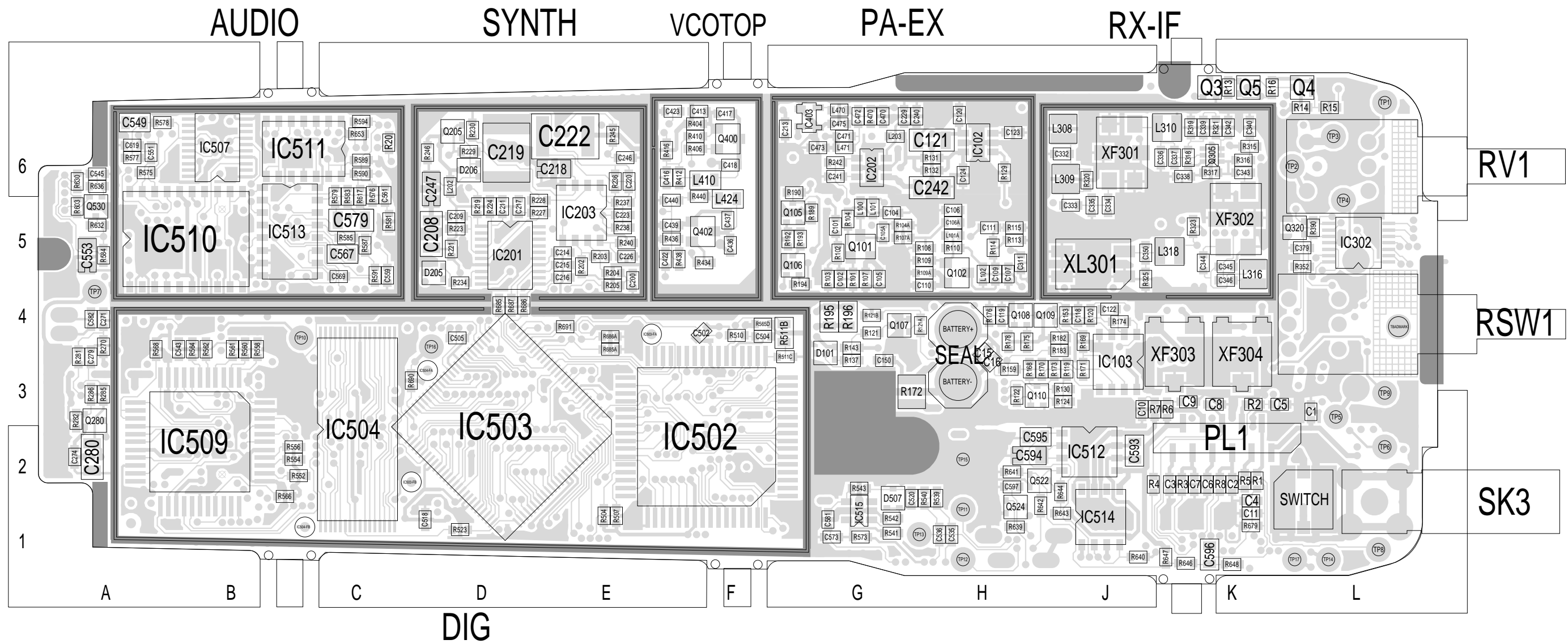


05A	CCO	NO.	1503-004/005/006/007	BRD				04/11/99
04A	CHANGES AS PER	1503/001		BRD	CK	SP	GR	13/08/99
REV/ISS	AMENDMENTS			DRAWN	CHKD	D.O.	APVD	DATE

© TAIT ELECTRONICS
 ORCA :TP010- 336-400MHZ
 LOWCOST T3010

IPN: 220-01503-05 ISSUE: A ID: 2.S.C. 7

PROJECT: ORCA DESIGNER: BRD FILE NAME: 150305a FILE DATE: 11-Nov-99 NO.SHEETS: 7



TAIT ELECTRONICS	IPN: 220-01503-05	ISS: -05	ID: 1.TA	DATE: 4 Nov 1999
SUB UHF PCB LAYOUT - TOP SIDE				